

PARROT 240A

ODMA Wireless Subscriber Relay Networks



Opportunity Driven Multiple Access™ (ODMA) is a patented mobile wireless broadband system comprised of primarily PARROT subscriber devices that build, strengthen and support the network infrastructure with increased energy efficiency. The ODMA™ technology supports user needs of high system capacity, easy installation, very low power consumption, high mobility and 4G-like bandwidth. The PARROT product line is designed to enable WIDENET™ ODMA Service Providers to deliver mobile data, video and voice services and specialized applications over an intelligent, self-organizing dynamic network.

The lightweight, temperature-resistant **PARROT 240A Indoor Concentrator**, using the Intel® IXP425 Network Processor, serves as an interface between various ODMA devices that may require connectivity over an auxiliary network, such as a private or public internet. Subscribers can gain access to external resource functionality that may be available through such an auxiliary network, including Internet browsing, telephony and other sophisticated applications that may be provided by Service Providers. **PARROT Concentrators** enable communication with wireless units through one or more wired seeds; and together with the smart-card technology **PARROT Concentrators** are also used to enable remote authentication and certification of ODMA stations on the network.

Applications

- The Concentrator combines the OOW (ODMA Over Wire) traffic from several Seeds connected to it, into a single OOI (ODMA Over IP or Internet) connection.
- The Concentrator reports the presence of all Seeds, Gateways and subscriber units that are converging via it, to the LRMS.
- The Concentrator (in conjunction with the LRMS), allocates the subscriber units to optimal ODMA Gateways in order to access services such as the public Internet.

Key Benefits

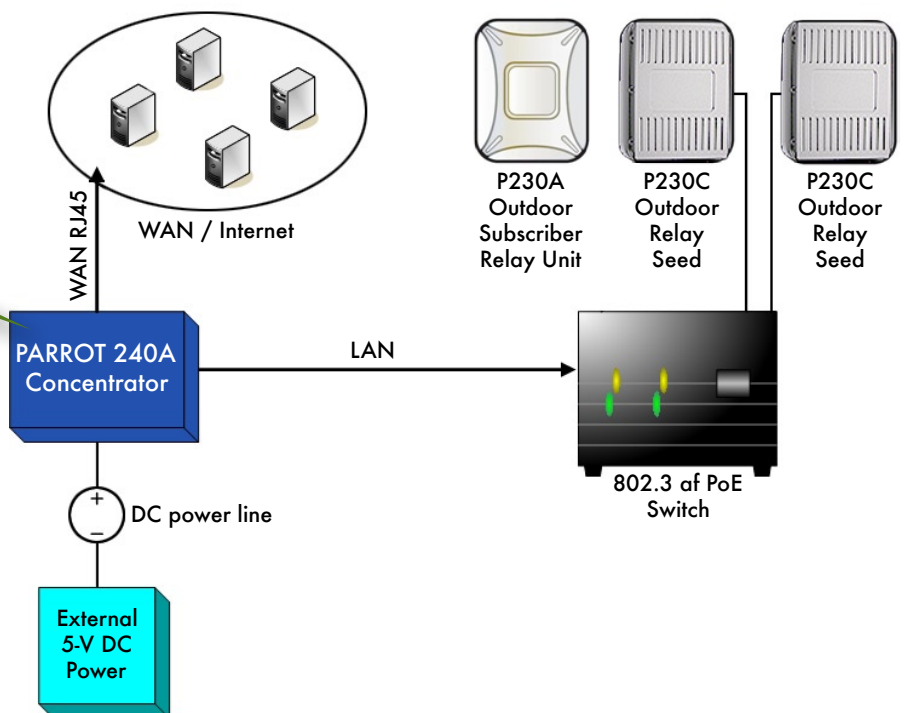
- Self-healing of all the ODMA devices utilizing a given Concentrator to reach the IP.
- Self-healing of nearby ODMA gateway resources for allocation to subscriber units.
- Simple IP configuration of address, mask and gateway for use with any TCP/IP Ethernet based network connection.
- Compact profile and low cost allows for multiple units to spread traffic load and provide redundancy.



ODMAEnabled™



© 2007/8 IWICS, Inc.
All Rights Reserved.



SPECIFICATIONS

PARROT 240A/B

Physical

- **Weight:** 330g
- **Dimensions (L x W x H):** 139 x 109 x 39mm
- **Label dimension:** 65 x 45mm
- **Casing:** Aluminum for heat sinking (Indoor unit) •• Metal for weatherproofing (Outdoor unit)

Ethernet

- **Ethernet LAN:** connect to 802.3 Power over Ethernet (POE) switch hub
- **Ethernet WAN:** connect to broadband
- IEEE802.3 10/100BASE-T-compliant 10/100 Mbps Ethernet/IEEE802.3 af 48-V POE
- 10/100BaseT RJ45 Ethernet
- **LED Indicator:** Power, Link, LAN, Data
- **User Access:** Via activated 3G Compatible SIM card

Power

- **Power Input:** Seed - DC 48-V (POE) and DC 5-V (bypass POE)
- **Power-adaptor AC range:** 110-V to 220-V AC/DC range 5-V to 12-V

Environmental

- **Operating temperature:** -10C~ +70C (except RF output power and sensitivity)
- **Storage:** -30C~+70C
- **Humidity:** 0%~95% •• non-condensing

Anti-static voltage

- **Static voltage:** Case - 4 kV

Vibration

- **Frequency and amplitude** 10 – 25 Hz •• 1 mm vertically - one hour •• horizontally - 30 minutes

Compliance

- **FCC:** Part 15, Class B

Package Contents

- **PARROT 240A** Concentrator x 1
- Wall Mounting Kit
- 1-m shielded twisted pair LAN cable with RJ45
- Power adapter with US plug
- Installation Guide

P240B Outdoor Concentrator



© 2007/8 IWICS, Inc. All Rights Reserved.

Intel is a registered trademark of Intel Corp. This datasheet is subject to change without notification.

IWICS, Inc., 19125 North Creek Parkway, Bothell, WA 98011 USA
Phone: +1.425.329.2599, Fax: +1.425.483.1058